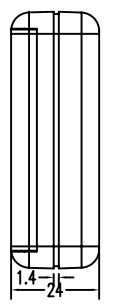
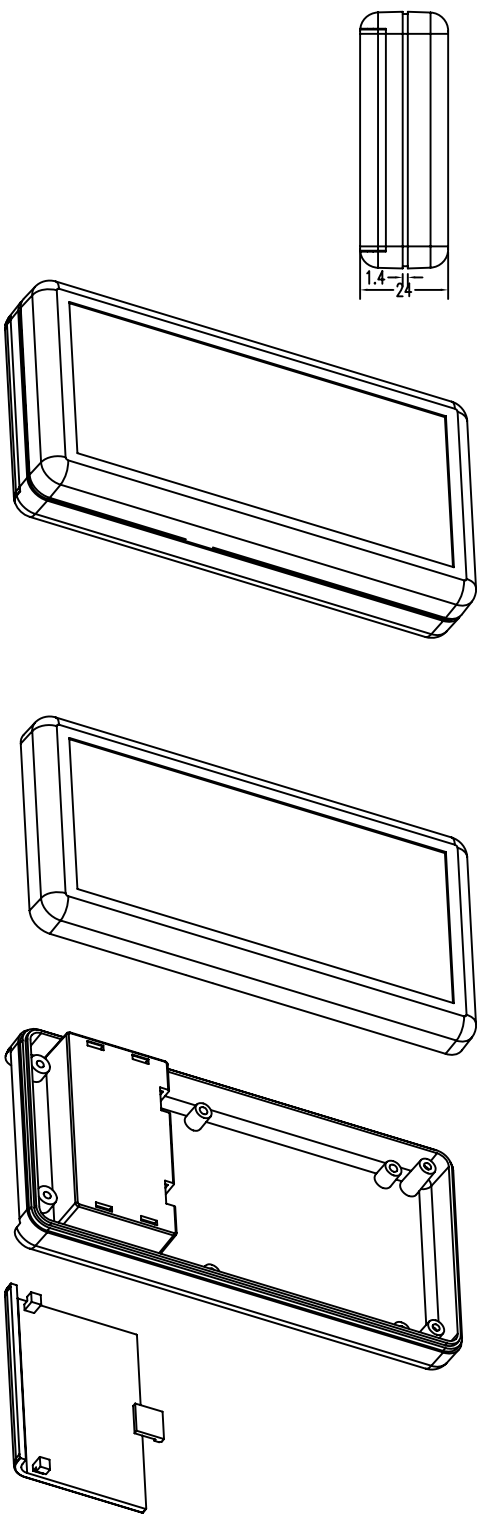


剖面 A-A



		Yuyao Jingtang Plastic Mould Co., Ltd.	
PART NAME	2-03	PRODUCTION MATERIAL	ABS
PAGE NO.	2-03	SCALE	1/1
UNIT	MM	SURFACE TREATMENT	
DESIGN		CHECK	
DRAW		APPROVE	
HZQIANG			